

PaxGo Series

Intelligent Bagging Scale



Making the World Measurable

Linking Your Smart Life



PaxGo Series Intelligent Bagging Scale - an intelligent bagging scale is widely used for granule packing.



PaxGo Series Intelligent Bagging Scale



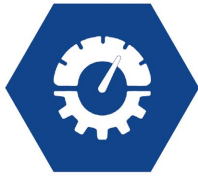
**Easy
Operation**



**Automated
Control**



**Accurate
Weighing**



**High
Efficiency**

PaxGo is an automatic weigh filler its self-optimizing controls can be precisely configured to your specific material flow, speed and accuracy requirements.

Product Features

- Specially designed for granular products like Rice, Pulses, Plastic Granules, Animal Feed, Maize, Soybeans, Seeds etc.
- Equipped with self optimizing intelligent program for high speed operation.
- Accuracy range $\pm 10g$.
- Models available in 5-25kgs, 10-50 kgs
- Speeds upto 16 Bags per minute.





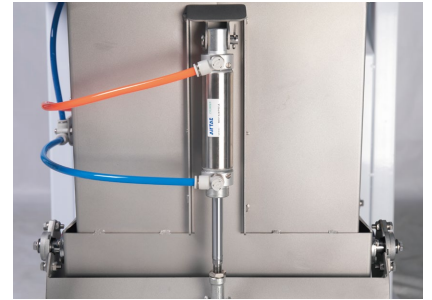
Industrial Design

Special design for industrial application, high speed and accuracy.



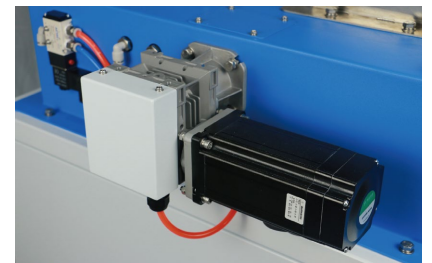
User-friendly Design

- The food contacting materials are all made of S304 stainless steel and can be used for food packaging.
- International premium brand components ensure the product quality.



Module Design

Standard flange interface for easy and fast installation.



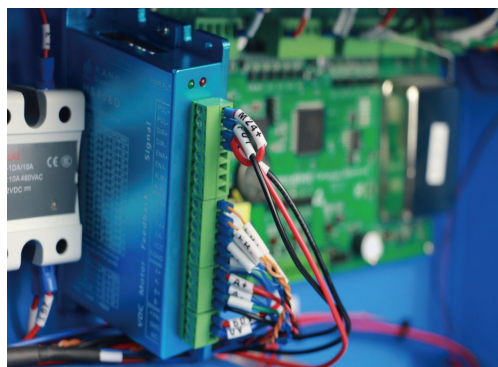
Stepping Motor

For feeding control achieves intelligent auto adjustment fast and accurately.



Communication interface

- Dual serial port RS232/RS485
- Standard Ethernet port, Modbus TCP/IP
- 4G/5G Communication (Optional)

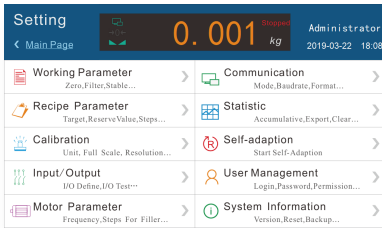


Embedded USB for exporting data conveniently and system upgrading.

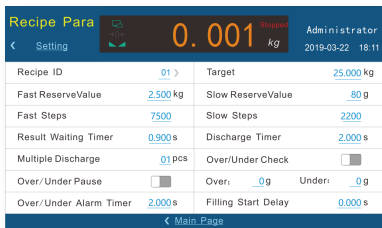


User-friendly design

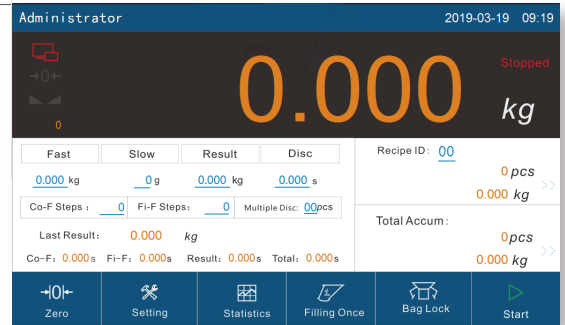
10-inch touch screen, real-time display of current status, detection of weight, recipe information, fast/slow feeding and other key data.



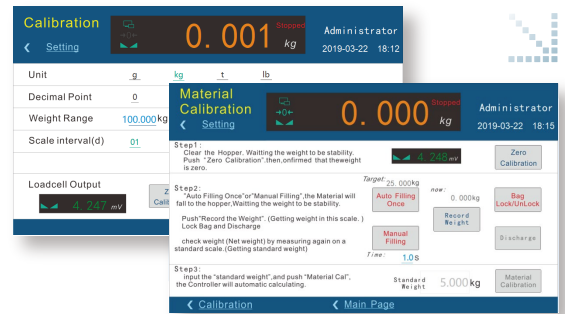
- Parameter interface optimization and upgrade.



- Observing data changes when setting parameters, which is simultaneous and intuitive.



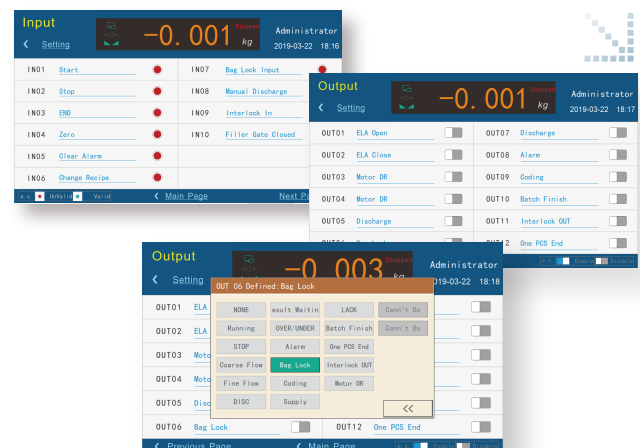
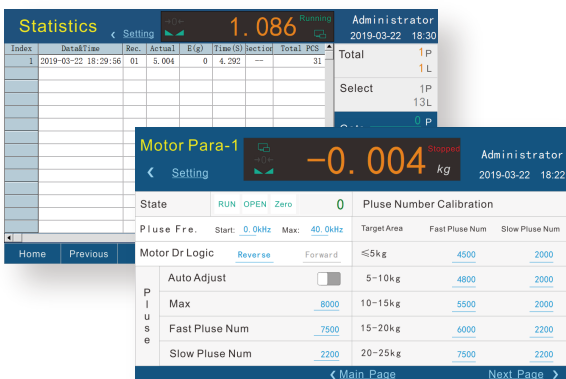
- Calibration according to different materials with step hints to make the field calibration more convenient.



Well-organized data management

Motor parameters: an interface can simultaneously display the motor status and parameters which is easy to debug.

All definitions of each port can be intuitively selected.



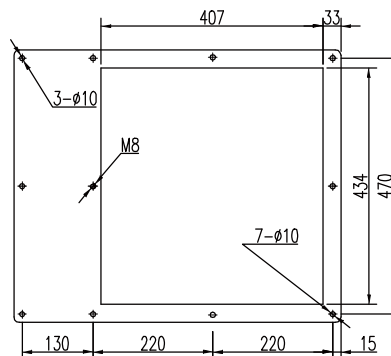
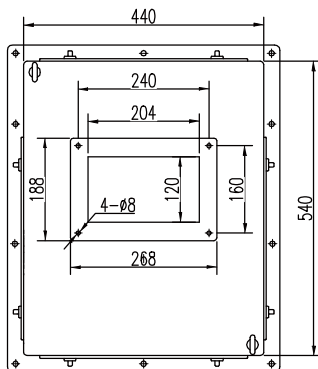
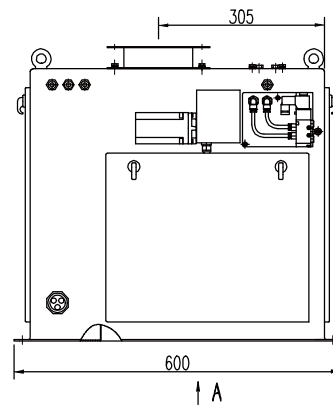
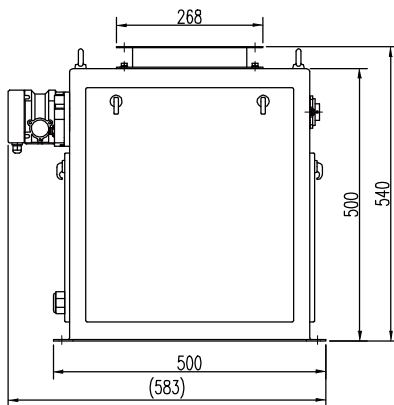
Specification

Model	PaxGo AF-5K,AF-25K,AF-50K
Hardware	10 inch Touch Screen, Actuator, F301 Mainboard, 4G Signal Transmitter
Structure	Weigher Scale, Measuring Hopper, Electric Cabinet, Discharge Hopper
Core Accessories	F103 Mainboard
Controller	F103 Mainboard
Communication	USB , RS232/485
Weighing Range	1 ~ 5 k g , 5~25kg, 1 0 ~50kg Optional
Value for min. division	1、 2、 5、 10、 20、 50
Accuracy	±10g
Speed	≤1000pcs/hour
Operating Temperature	0°C ~ 40°C
Operating Humidity	90%R.H condensation is not allowed
Power	AC110 ~ 260V.50/60HZ. Approximate 200VA
Material	304 stainless steel

Product Dimensions

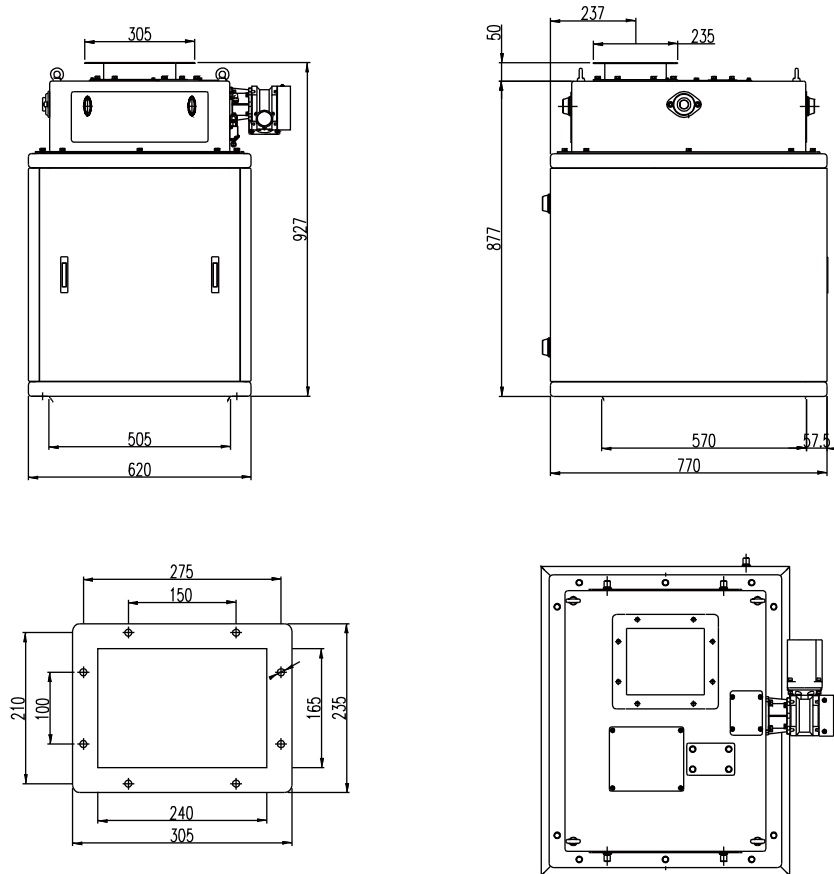
AF-5K

Unit:mm



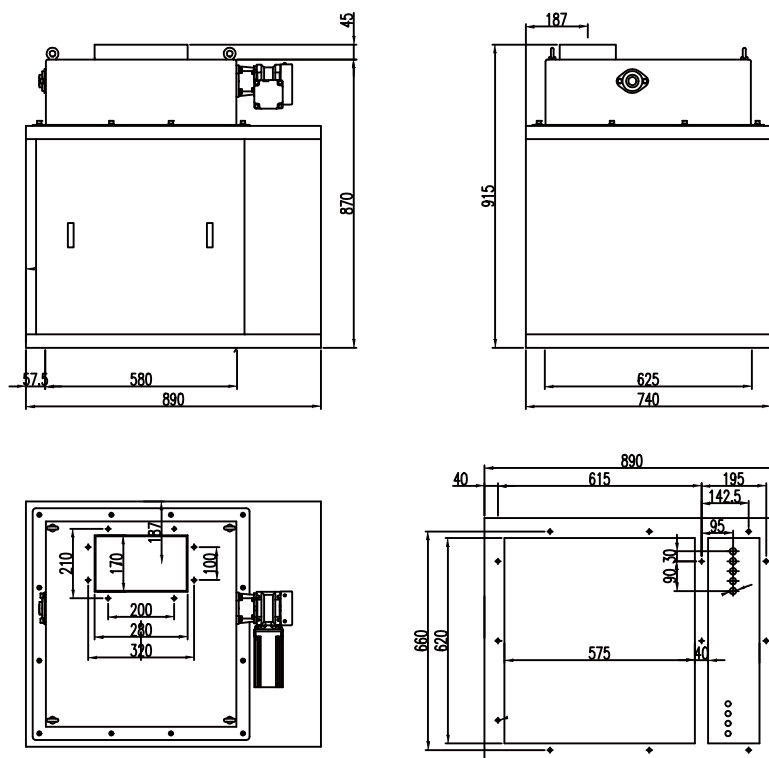
AF-25K

Unit:mm



AF-50K

Unit:mm





General Measure Technology Co., Ltd.

Add: A1-3/F, Block C, Tongfang Information Harbor, No.11 Langshan Rd., North Area of High-tech Park, Xili, Nanshan District, Shenzhen, China.

Tel/Wechat: +86 185 6585 5789

E-mail: xjlv@szgmt.com

Web: www.gmweighing.com



[LinkedIn](#)



[Facebook](#)



[Wechat](#)