

ChexGo Series

Dynamic Checkweigher



Weasy -- Weighing Easy



Designed for dynamic weighing application



30+years R&D experience in weighing control

ChexGo Series checkweigher with the feature of high speed, accuracy and stable performance can work well in the harsh industrial environment. Assuring the 100% product weighing detection under the law and regulation, it will reduce the customer complains and protect enterprise fame. Whilst replacing the manpower to lower the cost, ChexGo can help you to increase efficiency of the production line and avoid risks.



Easy operation



Accurate weighing



Abundant function



Stable and reliable



Stable, flexible and accurate design



Indicator Light
Makes the weight result more visible.

10-inch touch screen
10-inch color user friendly touch screen and graphical design interface.

Control System
30+ years' experience in inventing and innovating.

Module design for troubleshooting, maintenance and change parts.

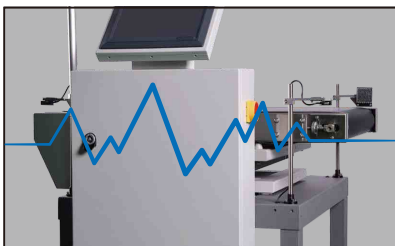
Feet
Designed feet for preventing vibration with flexible margin adjustment.



High efficient and better performance

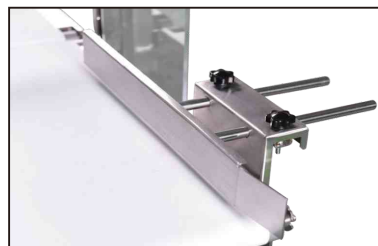
Anti-interference design

Professional circuit design, the weighing control box is passed EMC test, which can resist the power and electromagnet interference and maintain the stable operating.



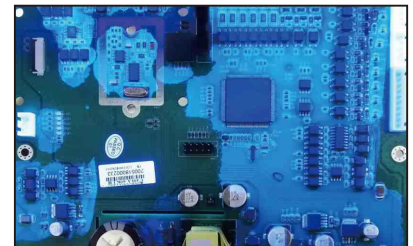
Adjustable material orientation guider

- Ensure the object stable moving;
- Decrease the vibration;
- S304 Stainless steel.



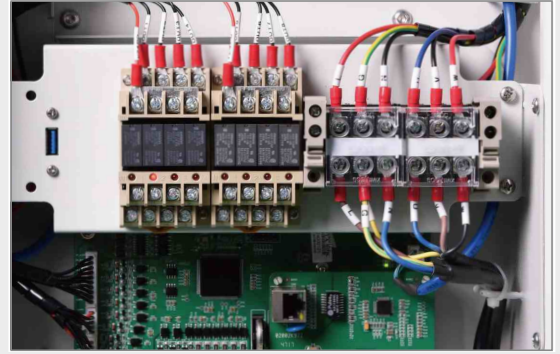
Anti-corrosion paint protection

All control panel is protected by anti-corrosion paint, which is moisture proof, dust proof, insulation and anti-vibration.



Abundant function, easy integration

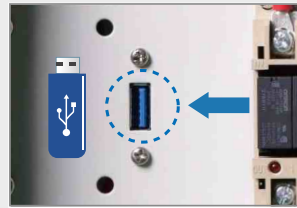
- Standard Modbus TCP/IP, RS485 communication
- Support connecting to labeling machine, ink-jet printer
- Support connecting to printer to print weighing data records.



-----		Up separate line
DATE:	2020.6.18	Print date
TIME:	15:31	Print time
PRODUCT CODE:	1	Product code
TARE WT:	0.000kg	Tare value
UP LIM:	0.030kg	Overweight value
REF LIM:	8.135kg	Target weight
LOW LIM:	0.030kg	Underweight value
PASS CT:	1	Total pass time
PASS WT:	8.140kg	Total pass weight
PASS AVR:	8.140kg	Average pass weight
PASS RATE:	100.00%	Pass rate
OVER CT:	0	Total overweight time
OVER WT:	0.000kg	Total overweight value
UNDER CT:	0	Total underweight time
UNDER WT:	0.000kg	Total underweight value
TOTAL CT:	1	Total test time
TOTAL WT:	8.140kg	Total test weight
MIN WT:	8.140kg	Minimum weight
MAX WT:	8.140kg	Maximum weight
-----		Down separate line

Printing Function

When communication is set as print and checkweigher is connected to the printer, the weighing data records can be printed on the interface of statistic result or by sending the print order via communication.

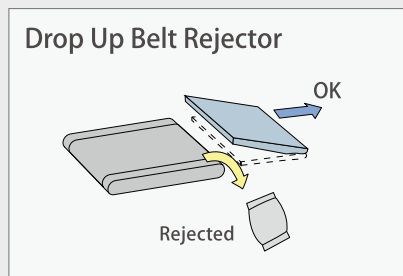
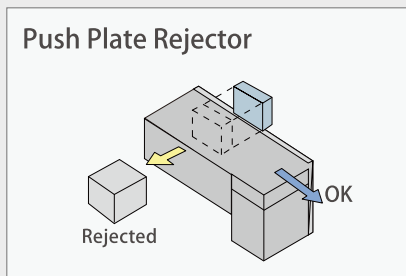
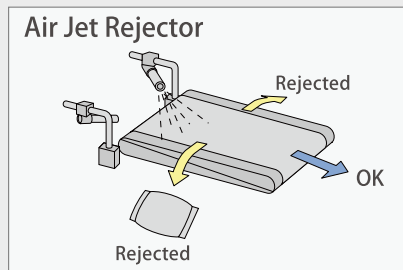
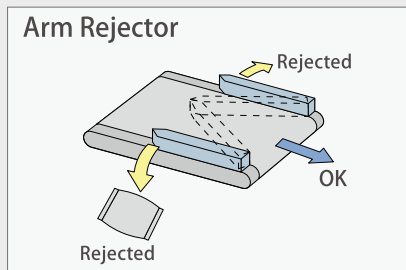


USB Memory Port

- Data acquisition;
- Program update.

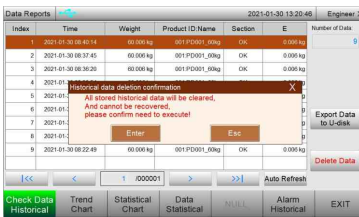
Multi-type Rejector

Multi-Rejector option, flap method, swing arm, push type – flexible design.

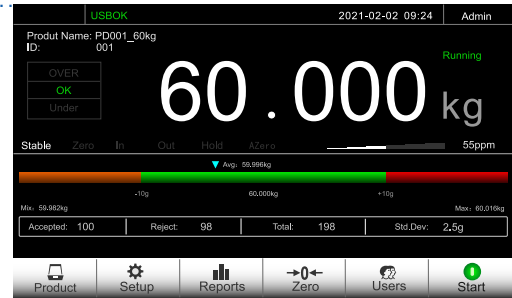


User-friendly design

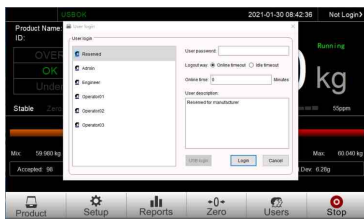
- 10-inch color user friendly touch screen and graphical design interface. Simple operation without professional training.



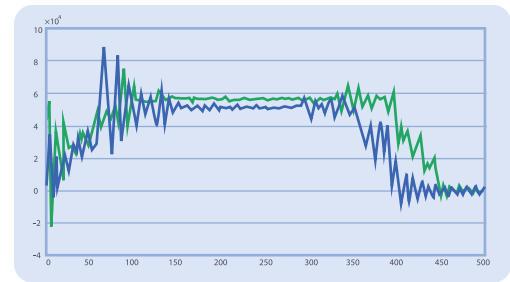
- A million product formula storage. Users/Admin can easy add or delete data.



- Advanced and sophisticated software algorithm makes sure the accuracy, as well as high speed dynamic responses.



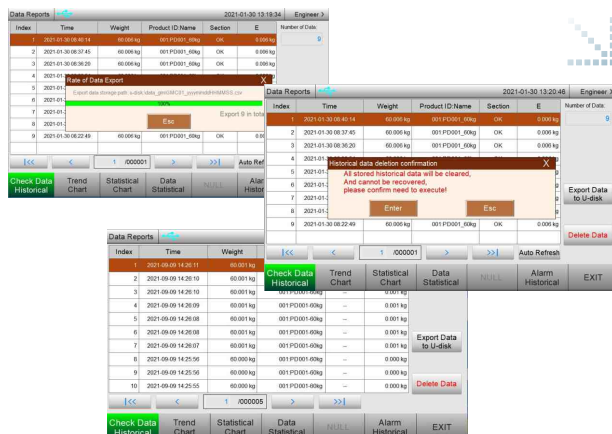
- 3 levels of administration authority for well-organized management.



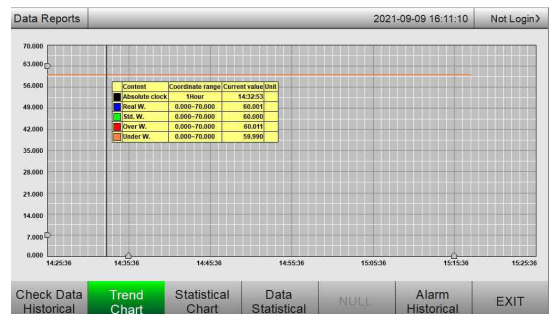
— Traditional waveform — Now waveform
▲ Weighing sampling waveform

Well-organized data management

- A million data details record including serial number, time and result for admin to check errors. Data summary report can be exported through USB and RS485.



- Weight fluctuation chart reflects the product weight conditions from the macro perspective.



DYNAMIC CHECKWEIGHER CW-100K

- This product is widely used in Pharmaceutical production lines for highest weighing accuracy and repeatability;
- The checkweigher monitor manufacturing efficiencies and provide real-time data on your process;
- Product completeness and trends also provide feedback data to production line;
- It is also used in the application of checking completeness of secondary package to identify any missing items.

Multiple industrial application



Food



Pharmacy



Accessories



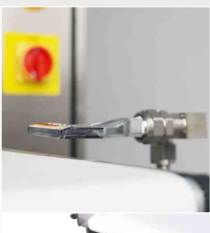
1-500g

Weighing range



±0.1g

Accuracy



180+ Pcs/min

Speed



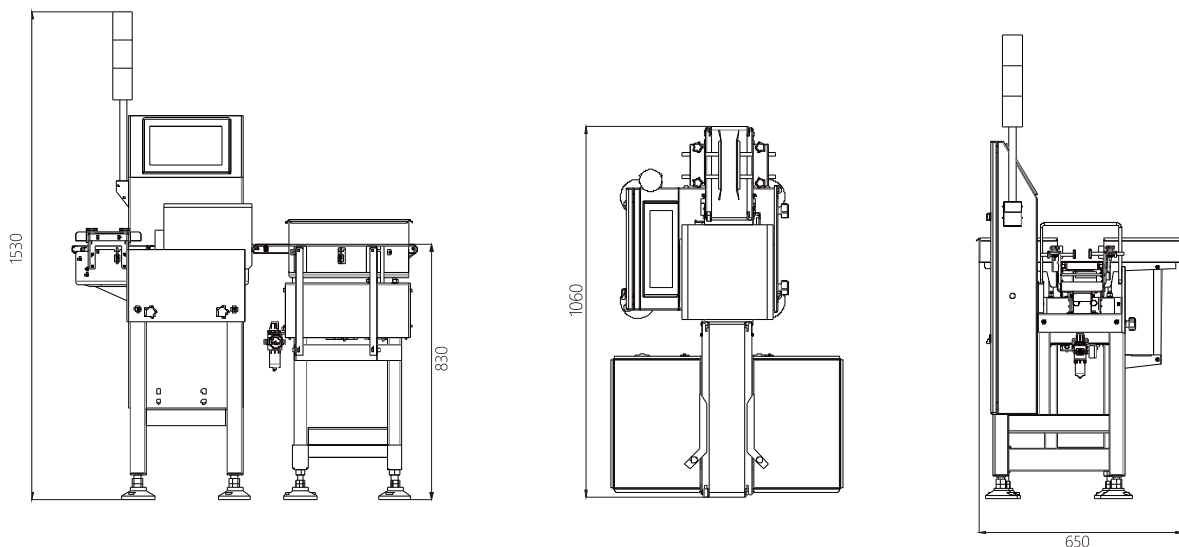
Standard specification

Model	CW-100G
Weighing range	1~500g
Scale division	0.05g
Highest Accuracy(3 σ) *	± 0.1 g
Highest Weighing speed *	180 pcs/min
Belt speed	5~60 m/min
Belt size	250×100mm
Weighing platform Height **	750±50mm
Tested object size	Length: 50~180mm Width: 20~80mm Height: 10~150mm
Belt material	PVC (white)
Structure of the material	Carbon steel, SS304 stainless steel (weighing platform)
Alarm light	3-color signal light (Red, yellow, green) , Optional buzzer
Display size	10-inch color touch screen
Rejector lineup	Options: swing type, air blow type, push type or lift up type rejector
Power	Single Phase AC-220V $\pm 10\%$, 50/60HZ
operating temperature	0~40°C
IP grade	IP54

*Depend on the weight, size, and material of test object. Test accuracy: 0.1g at 100pcs/min; 0.3g at 180pcs/min.

Dimensions

Unit:mm



DYNAMIC CHECKWEIGHER CW-600G

- This checkweigher is suitable for standard applications in food and other industries;
- System can store 100 product options for a wide variety of open or closed products in food and industrial production environments;
- System can be intergrated with metal detector.

Multiple industrial application



Food



Chemical



Accessories



10-600g

Weighing range



±0.5g

Accuracy



200+ Pcs/min

Speed



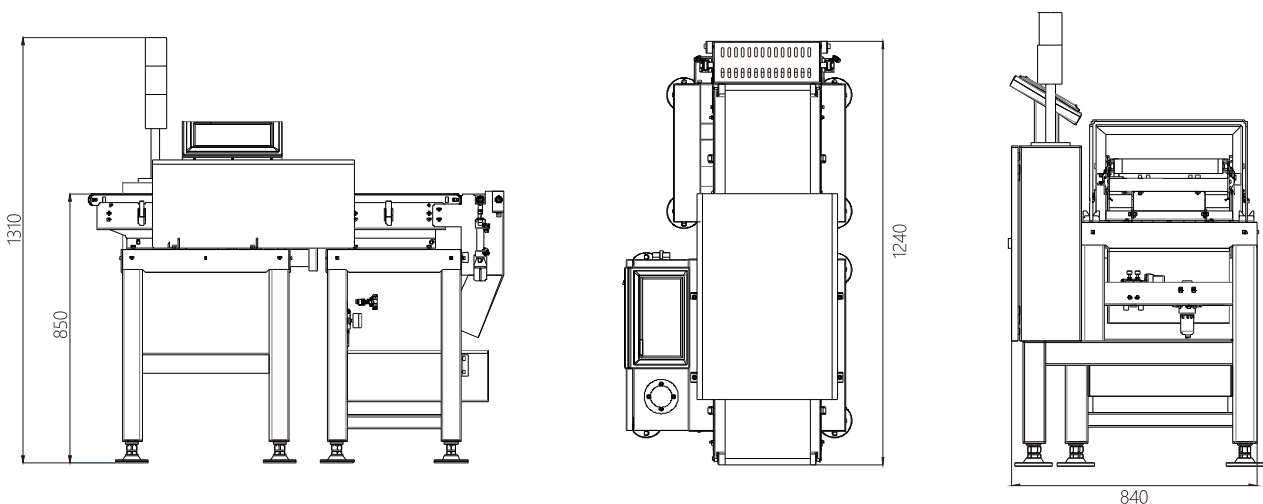
Standard specification

Model	CW-600G
Weighing range	10~600g
Scale division	± 0.1g
Highest Accuracy(3 σ) *	0.5g
Highest Weighing speed *	200 pcs/min
Belt speed	5~60 m/min
Belt size	310×250mm
Weighing platform Height **	750±50mm
Tested object size	Length: 50~240mm Width: 20~150mm Height: 10~180mm
Belt material	PVC (white)
Structure of the material	Carbon steel, SS304 stainless steel (weighing platform)
Alarm light	3-color signal light (Red, yellow, green) , Optional buzzer
Display size	10-inch color touch screen
Rejector lineup	Options: swing type, push type or lift up type rejector
Power	Single Phase AC-220V ±10%, 50/60HZ
operating temperature	0~40°C
IP grade	IP54

* Depend on the weight, size, and material of test object. Test accuracy: [0.5g at 200pcs/min](#)

Dimensions

Unit:mm



DYNAMIC CHECKWEIGHER CW-1.2K

- For pouches, bags, and soft-sided containers, bottles;
- S304 stainless steel frame is standard;
- 10 inch touch screen, can store over 1 million transaction, data export through USB;
- High speed at 150 pcs per min, with 0.5 gram.

Multiple industrial application



Food



Grain



Chemical



100-1200g

Weighing range



±0.5g

Accuracy



120 + Pcs/min

Speed



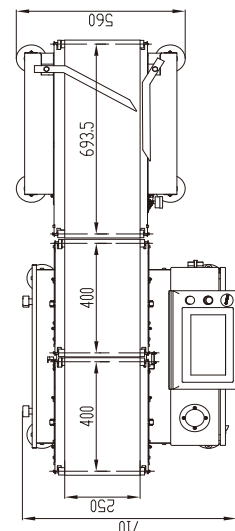
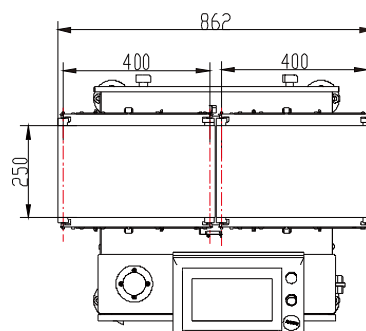
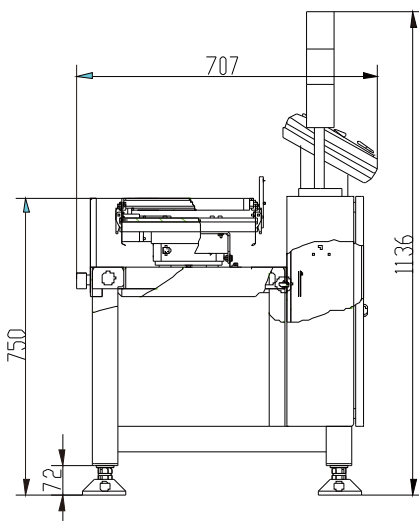
Standard specification

Model	CW-1.2K
Weighing range	100~1200g
Scale division	0.1g
Highest Accuracy(3 σ) *	$\pm 0.5g$
Highest Weighing speed *	120 pcs/min
Belt speed	5~50 m/min
Belt size	400×250mm
Weighing platform Height **	750±50mm
Tested object size	Length: 50~300mm Width: 20~220mm Height: 10~220mm
Belt material	PU (white)
Structure of the material	SS304 stainless steel
Alarm light	3-color signal light (Red, yellow, green) , Optional buzzer
Display size	10-inch color touch screen
Rejector lineup	Options: swing type, push type rejector
Power	Single Phase AC-220V $\pm 10\%$, 50/60HZ
operating temperature	0~40°C
IP grade	IP54

* Depend on the weight, size, and material of test object. Test accuracy: **1g at 120pcs/min**

Dimensions

Unit:mm



DYNAMIC CHECKWEIGHER CW-15K

- Heavy load, for product weight up to 15kg, with accuracy under 5 grams;
- For pouches, bags, and soft-sided containers, bottles;
- Easy to operate with in inch screen, can store 100 different products;
- With different rejector option, can also integrate with metal detector.

Multiple industrial application



Seed



Logistic



Automation



1-15kg

Weighing range



±5g

Accuracy



110 +Pcs/min

Speed



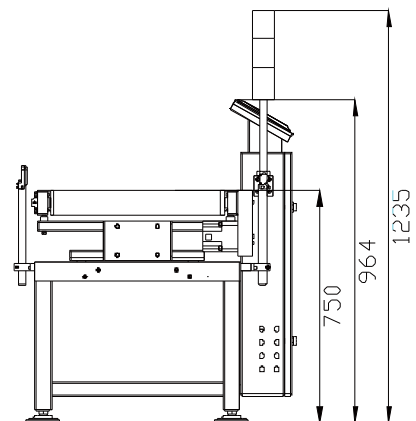
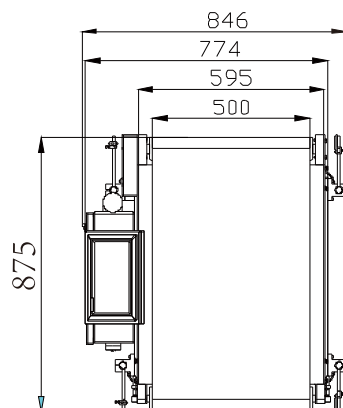
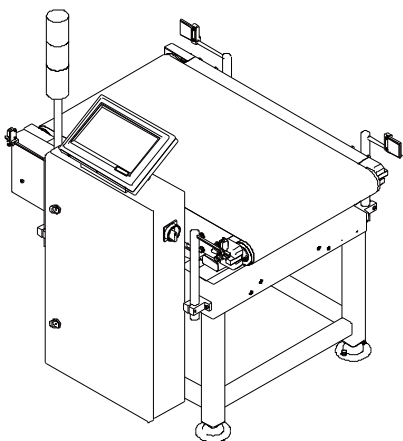
Standard specification

Model	CW-15K
Weighing range	1~15kg
Scale division	1g
Highest Accuracy(3 σ) *	± 5 g
Highest Weighing speed *	110 pcs/min
Belt speed	8~90 m/min
Belt size	800×500mm
Weighing platform Height **	750±50mm
Tested object size	Length: 100~600mm Width: 50~450mm Height: 50~500mm
Belt material	PVC (black)
Structure of the material	Carbon steel, SS304 stainless steel (weighing platform)
Alarm light	3-color signal light (Red, yellow, green) , Optional buzzer
Display size	10-inch color touch screen
Rejector lineup	optional
Power	Single Phase AC-220V $\pm 10\%$, 50/60HZ
operating temperature	0~40°C
IP grade	IP54

* Depend on the weight, size, and material of test object. Test accuracy:5g at 120pcs/min

Dimensions

Unit:mm



DYNAMIC CHECKWEIGHER CW-60K

- Heavy load heavy duty, for bags ,boxes weight up to 60kg with accuracy within 10 grams;
- Strong structure for hash environment, option S304 S316 structure, option stainless loadcell;
- Using 4 loadcells for plat form, with variable mounting position for high accuracy under ruff environment;
- Flexible Modbus communication to integrate with computer, scanner, dimension measure device and soon.

Multiple industrial application



Logistic



Automation



Grain and feeds



5-60kg

Weighing range



±10g

Accuracy



60+Pcs/min

Speed



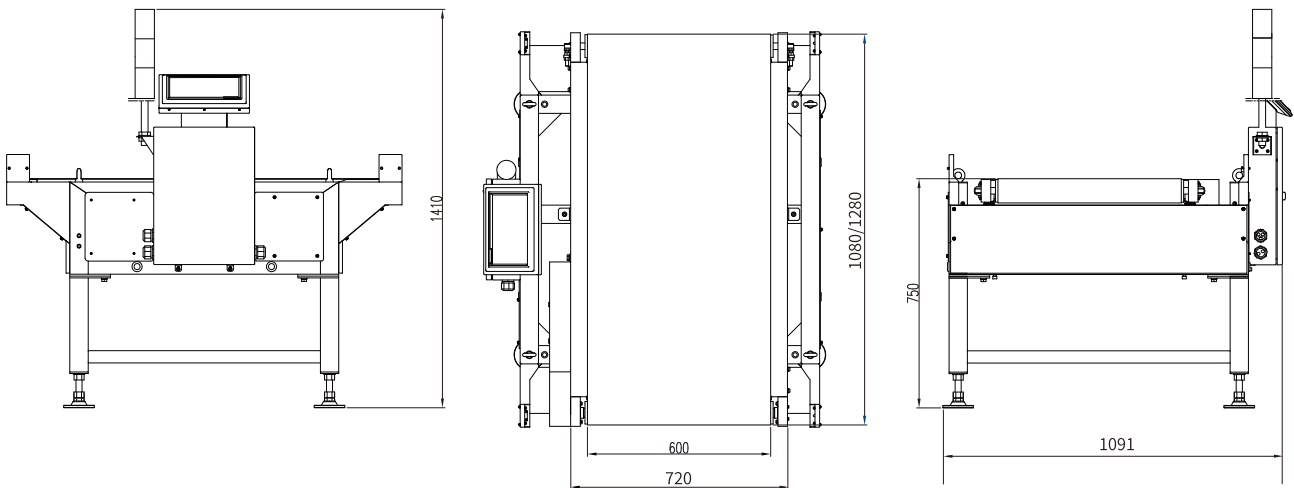
Standard specification

Model	CW-60K
Weighing range	5~60Kg
Scale division	5g
Highest Accuracy(3 σ) *	± 5 g
Highest Weighing speed *	60pcs/min
Belt speed	10~60m/min
Belt size	1000/1200×600mm
Weighing platform Height **	400~750mm (± 50 mm)
Tested object size	Length:100~800/1000mm Width: 50~600mm Height: 50~600mm
Structure of the material	Carbon steel, SS304 stainless steel (weighing platform)
Alarm light	3-color signal light (Red, yellow, green) , Optional buzzer
Display size	10-inch color touch screen
Rejector lineup	optional
Power	Single Phase AC-220V $\pm 10\%$, 50/60HZ
operating temperature	0~40°C
IP grade	IP30

* Depend on the weight, size, and material of test object. Test accuracy: 5g at 30pcs/min; 10g at 60pcs/min.

Dimensions

Unit:mm





[Linkedin](#)



[Facebook](#)



[Wechat](#)



General Measure Technology Co.,Ltd.

Address: Room2208, Block A, Building 6, Shenzhen International Innovation Valley,
Nanshan District, Shenzhen, Guangdong Province, P.R.China.

Tel/Wechat: +86 185 6585 5789

E-mail: xjlv@szgmt.com

Website: www.gmweighing.com