

GROSS WEIGHER AF-100K

A Gross Weigher AF-100K is suitable for packing 10~100kg free-flowing granular materials. High accuracy and fast speed, stable and durable.



10-100kg
Weighing range



Stable Performance



Easy Installation

±10~30g
Accuracy range



Servo Motor Control



Weighing Accurate

600 Pcs/h
Top speed

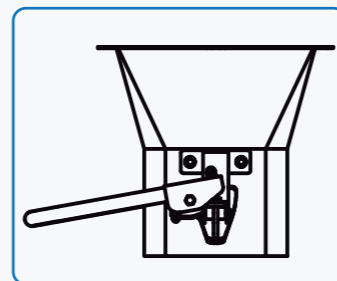
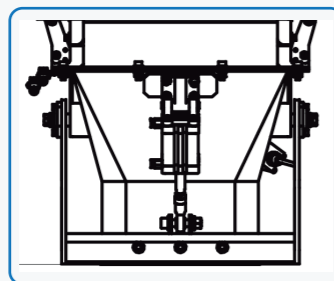
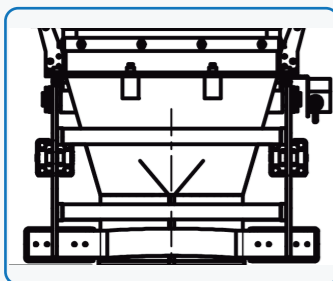


Features:

- Servo motor feeding;
- SS304 for whole machine, abrasive blasting for the scale and clamp; easy cleaning;
- 7-inch touch screen for easy operation;
- Support RS232 and RS485, USB for data exporting;

A variety of bag clamps are available:

- A. Pneumatic type (belt);
- B. Pneumatic type (rubber);
- C. Gravity type (no air pump required);



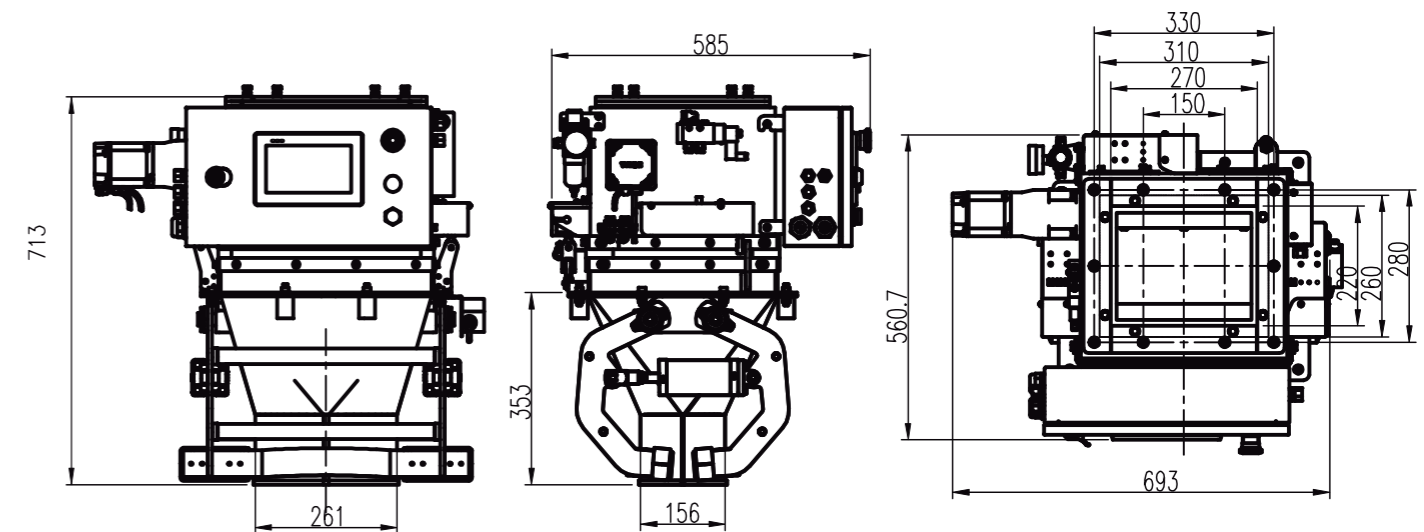
Specification

Model	AF-100K
Weighing range	10~100Kg
Division	2g
Accuracy range*	±10~30g
Top speed*	600 pcs/h
Feeding method	Servo motor
Material	SS304 for whole machine, abrasive blasting for the scale and clamp
Bag Clamps	A. Pneumatic type (belt); B. Pneumatic type (rubber); C. Gravity type (no air pump required);
Communication	RS485, RS232, USB
Air Source	0.4-0.6MPa 2m³/h(No air pump required when selecting gravity type)
Power	Single Phase AC220V±10%, 50/60Hz, 1KW
Working environment	0~40°C, 90%R.H condensation is not allowed

*Accuracy and speed depends on the material characteristics and packing weight.

Structure & Dimension

Unit: mm



*Specification and dimension may be upgraded, please consult sales manager for the latest info.